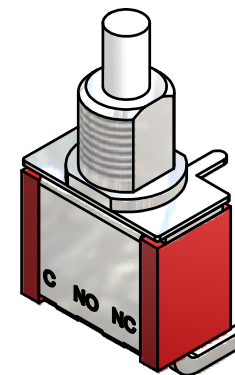
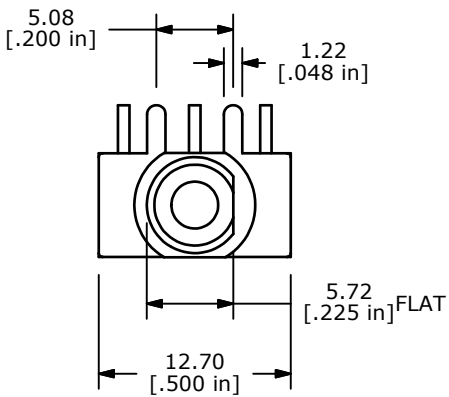
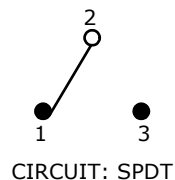
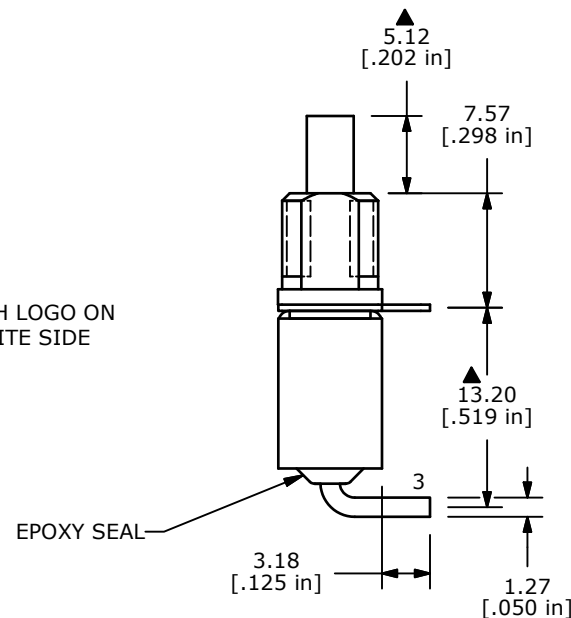
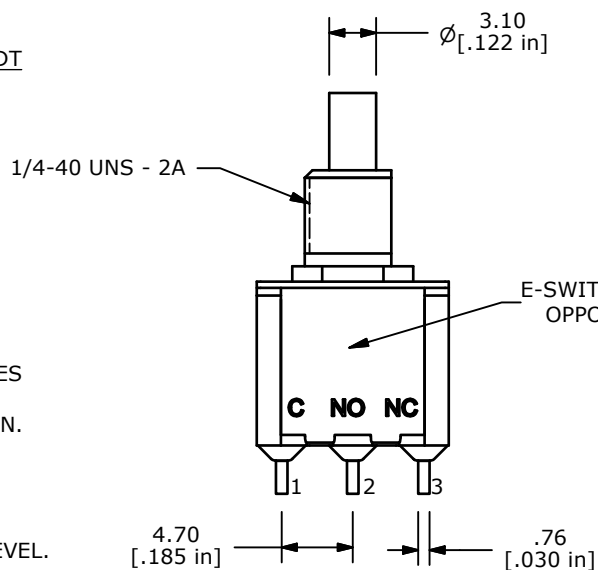


| SWITCH FUNCTION |        |
|-----------------|--------|
| POS. 1          | POS. 2 |
|                 |        |
| ON              | (ON)   |
| 1-3             | 1-2    |

(ON) = MOMENTARY



- NOTE:
- ALL DIMENSIONS IN MM [INCH]
  - GENERAL TOLERANCE: X.X=±0.4  
X.XX=±0.25
  - TERMINAL NUMBERS FOR REF ONLY
  - CONTACT MATERIAL: GOLD
  - RATING: 0.4 VA MAX. @ 20 VAC OR VDC MAX.
  - ELECTRIC LIFE: 50,000 MAKE-AND-BREAK CYCLES AT FULL LOAD
  - INSULATION RESISTANCE: 1,000 MEGA-OHM MIN.
  - ACTUATION FORCE: 300 ± 100gf
  - TRAVEL: 1.0 ± 0.2mm
  - CONTACT RESISTANCE: 20 mOHM MAX. TYPICAL @ 2-4 VDC
  - DIELECTRIC STRENGTH: 1,000 V RMS @ SEA LEVEL.
  - OPERATING TEMP.: -30°C to 85°C
  - ▲ DENOTES CRITICAL PARAMETER.
  - 2002/95/EC (ROHS) COMPLIANT.



|     |        |                            |           |     |
|-----|--------|----------------------------|-----------|-----|
| C   | 19973  | DRAWING CLEAN-UP / UPDATE  | 6/2/11    | BGL |
| B   | 16428  | DIM. FROM "4.00" TO "3.18" | 9/12/2006 | BO  |
| A   | 16291  | RELEASED FOR PRODUCTION    | 8/9/06    | BO  |
| REV | PCR NO | DESCRIPTION                | DATE      | BY  |

THE INFORMATION CONTAINED IN THIS DOCUMENT IS PROPRIETARY TO E-SWITCH AND IS NOT TO BE COPIED OR TRANSFERRED



TITLE 700SP7B11M6RE

|           |               |       |             |       |
|-----------|---------------|-------|-------------|-------|
| SCALE 2:1 | DATE 8/9/2006 | DR BO | DWG T711066 | REV C |
|-----------|---------------|-------|-------------|-------|